

How to choose Binding & Laminating Machines

Do you want your presentations to look professional and stand out from the rest? Take a look at our guide below of which machines would suit your purpose and usage.

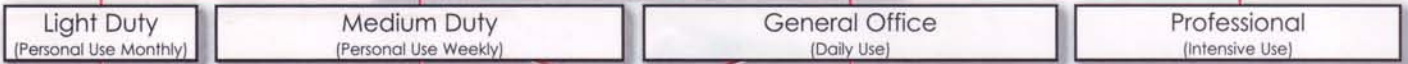
Comb Binding

Comb binding is a cost effective way to bind your material. It is very popular as it is quick and simple to use. There are several benefits to this way of binding which include:

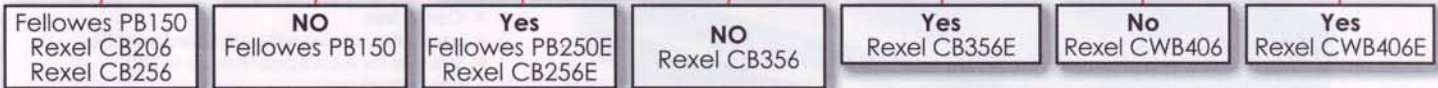
- Documents can be opened flat to allow photocopying
- Documents can easily be updated
- Combs are reusable
- Accessories are available in a range of different sizes and colours
- Flexibility



How Would You Best Describe Your Usage?



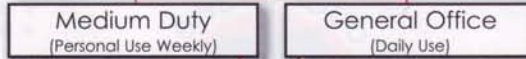
Do You Want Electric Punching?



Thermal Binding

Thermal binding produces a book finish. This requires minimum handling and allows easy distribution as the document lies flat. You can bind several documents at a time saving time. Thermal binding is for a permanent solution with no holes punched through your document.

How Would You Best Describe Your Usage?



Fellowes T49



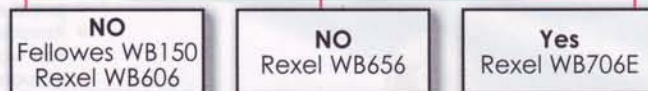
Wire Binding

Wire binding provides a stylish metal finish. It allows you to be able to open your document 360° so it's easy to photocopy. For security purpose it provides a permanent bound document so it cannot be modified. The document will open flat for ease of use. Wires are not reusable.

How Would You Best Describe Your Usage?



Do You Want Electric Punching?

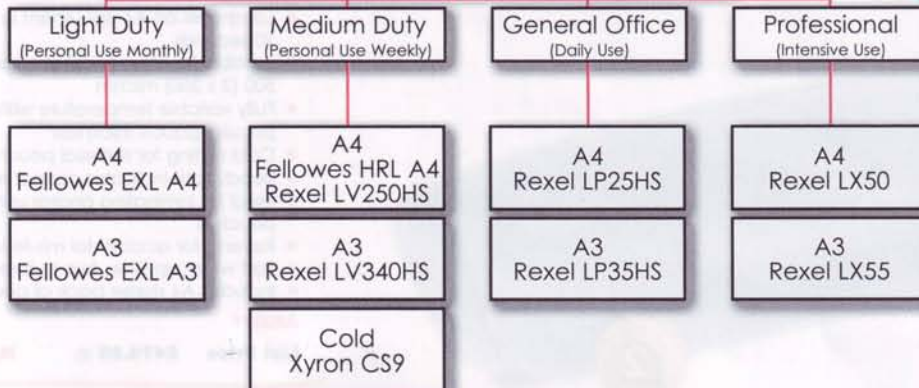


Laminating

Laminating your documents protects them from normal wear and tear. It makes them durable, tamperproof, waterproof and allows you to wipe them clean. Some ideas for laminating are as follows:

- Signs
- Notices
- Price Lists
- Safety Information
- Membership Cards
- Certificates
- Posters
- Photos

How Would You Best Describe Your Usage?



The list is endless